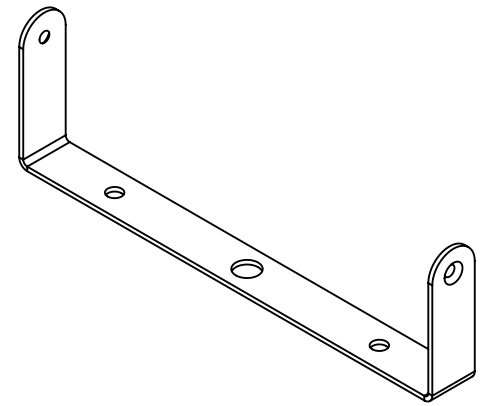
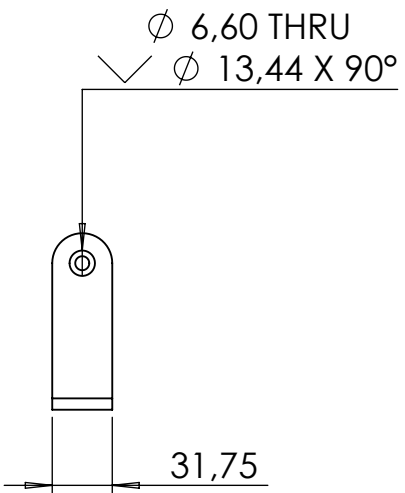
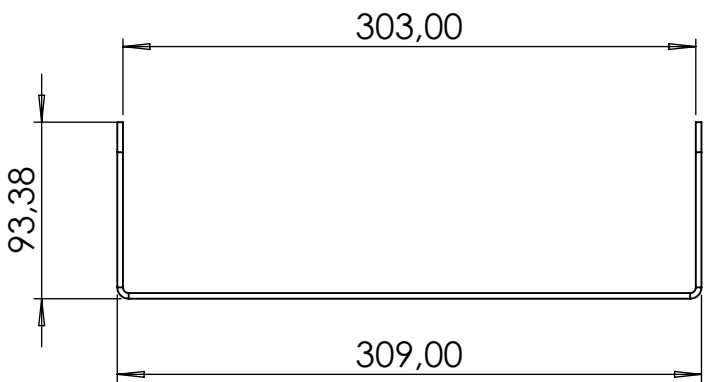


6 5 4 3 2 1

D

D

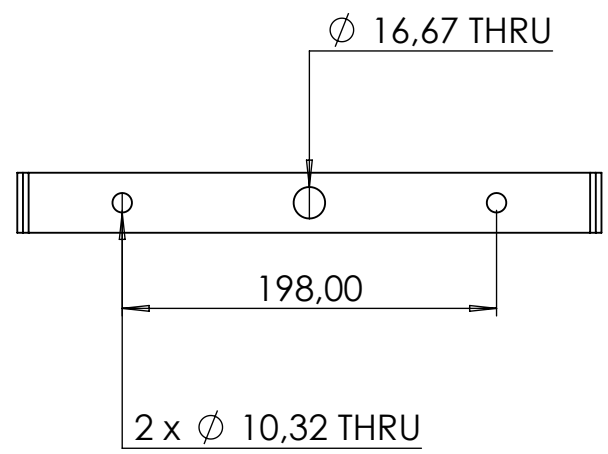


C

C

B

B



| | | | |
|--|-------------------|-----------------------------|--------------------------|
| Project: WSUB C-Clamp | | Version v1 | |
| A4 | Scale: 1:4 | Revision: R1 | First Angle Proj. |
| Weight (Kg): 0.32 | | | |

A

A



1 SOUND
www.1-sound.com

6 5 4 3 2 1