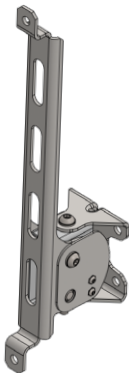




Tower Wall Bracket

Accessories & Hardware



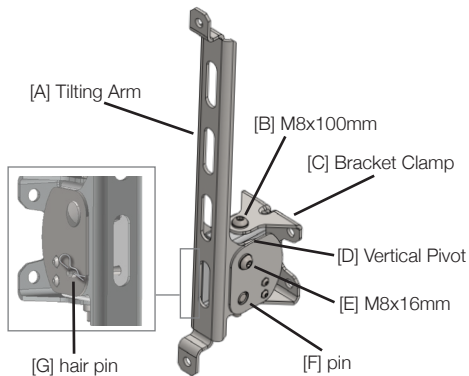
COPYRIGHT 1 SOUND - ALL RIGHTS RESERVED - REV3_2021

www.1-sound.com

Made in USA 

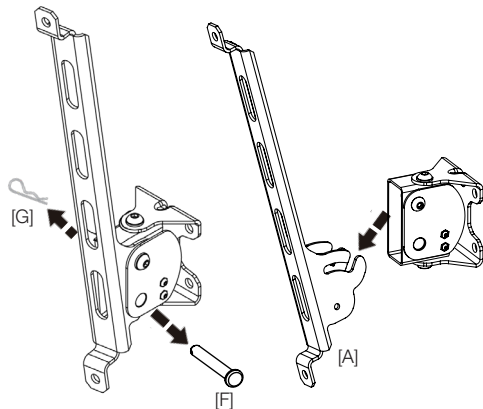
Tower Wall Bracket Overview

This bracket attaches to a Tower loudspeaker, in order to mount it to a wall or ceiling. It allows a 180° horizontal tilt and a 40° vertical tilt for aiming. This is a single person installation.

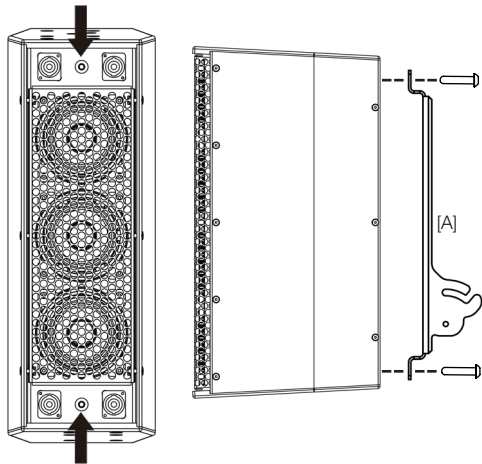


Angles Offered	180° horizontal, 40° vertical
Material	galvanized steel
Color/Finish	black or white

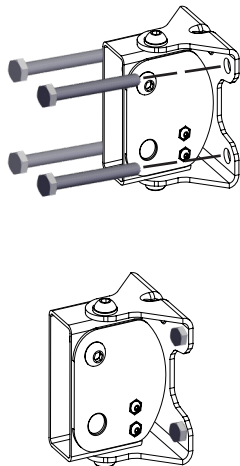
For simple set up, take out the [G] hair pin and remove the [F] pin so you can separate the [A] Tilting Arm from the [C] Bracket Clamp.



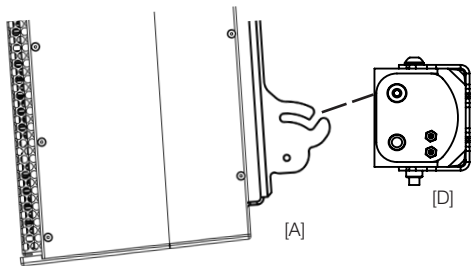
Attach the [A] Tilting Arm to the rear of the Tower loudspeaker using the two M8 screws that are on the speaker.



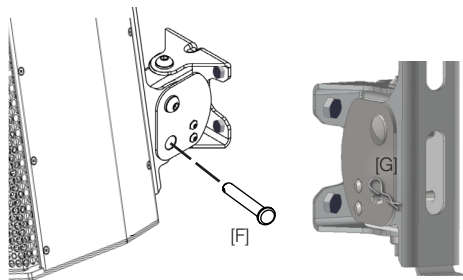
Mount the [C] Bracket Clamp to the wall, using (4) 8mm diameter screws/bolts.



Attach the [A] Tilting Arm with the Tower onto the [D] Vertical Pivot that's mounted on the wall.

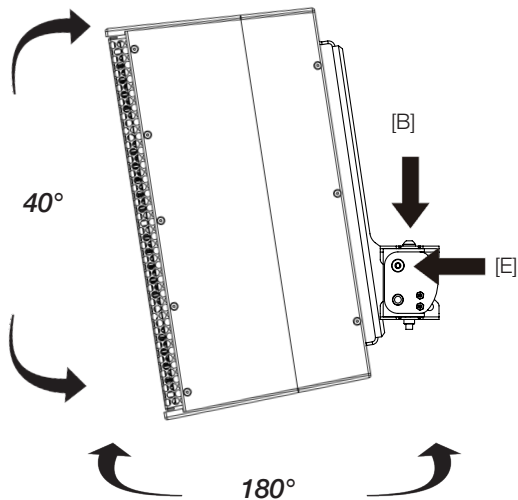


Put the [F] pin in and secure it using the [G] hair pin.



To adjust the vertical angle, loosen the [E] M8x16mm screw, pick your angle and tighten.

To adjust the horizontal angle, loosen the [B] M8x100mm screw, pick your angle and tighten.





1 SOUND, *Manufacturer*
34 Apple Street
Tinton Falls, NJ 07724

HQ: +1-732-798-9900
sales@1-sound.com

Visit www.1-sound.com for more product and service information.
