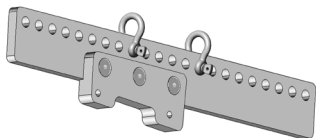




# Tower Long & Short Fly Bar

Accessories & Hardware



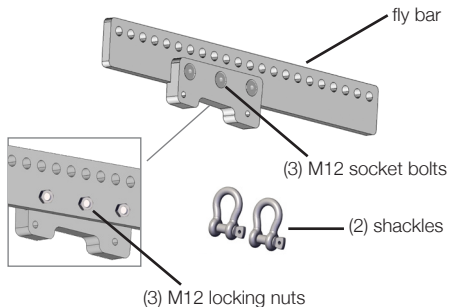
COPYRIGHT 1 SOUND - ALL RIGHTS RESERVED - REV3\_2021

[www.1-sound.com](http://www.1-sound.com)

Made in USA 

## Tower Long Fly Bar Overview

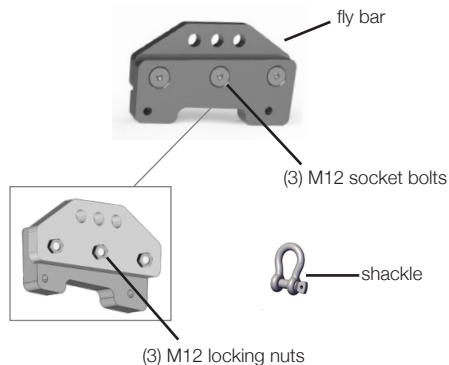
This bar allows the choice of multiple and more aggressive angles. A second fly bar (long or short) can be used as a pull up for the bottom of the array.



<b>Weight Load</b>	(12) LCC44's or (6) LCC84's
<b>Tilt Positions</b>	(22)
<b>Material</b>	solid structural aluminum
<b>Color/Finish</b>	anodized black or silver

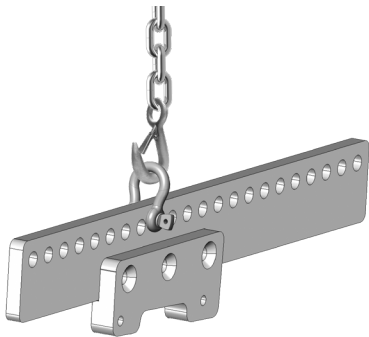
## Tower Short Fly Bar Overview

This fly bar allows suspension and angling of all Tower loudspeakers.



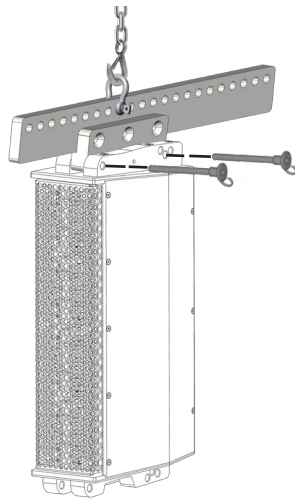
<b>Weight Load</b>	(12) LCC44's or (6) LCC84's
<b>Tilt Positions</b>	(3)
<b>Material</b>	solid structural aluminum
<b>Color/Finish</b>	anodized black or silver

Hang the fly bar off the designated location. Choose your tilt position and use the shackle(s) included.



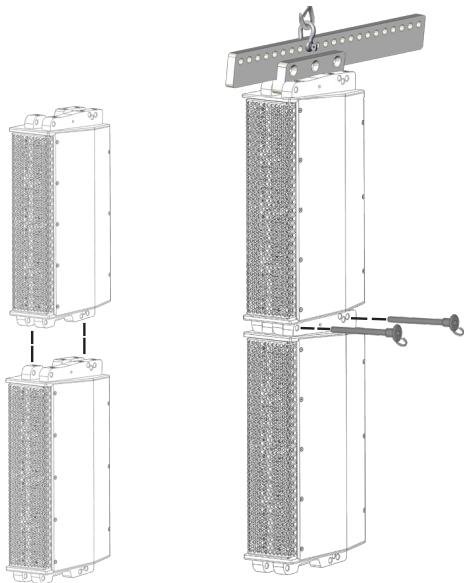
For more accurate information on how to predict your desired angle of the linearray, download the free acoustic simulation program, EASE Focus 3 ([www.afmg.eu/en](http://www.afmg.eu/en)). 1 SOUND ease profiles are readily available in the program.

Connect a Tower loudspeaker using the two pins that were included in the Tower Rigging System.

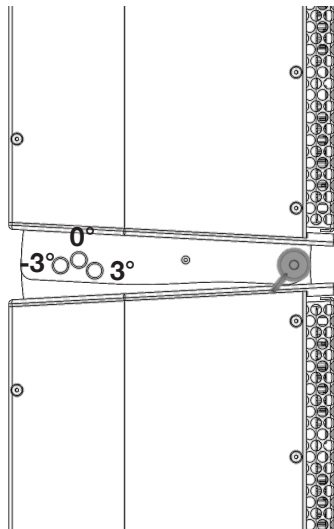


**Pro Tip:** Put one pin in the front first, so you can safely adjust your angle with both hands.

Elevate the fly bar rig and continue connecting Tower loudspeakers using the two pins.



Angle Choices:  $-3^\circ$ ,  $0^\circ$ ,  $+3^\circ$





1 SOUND, *Manufacturer*  
34 Apple Street  
Tinton Falls, NJ 07724

HQ: +1-732-798-9900  
sales@1-sound.com

Visit [www.1-sound.com](http://www.1-sound.com) for more product and service information.

---