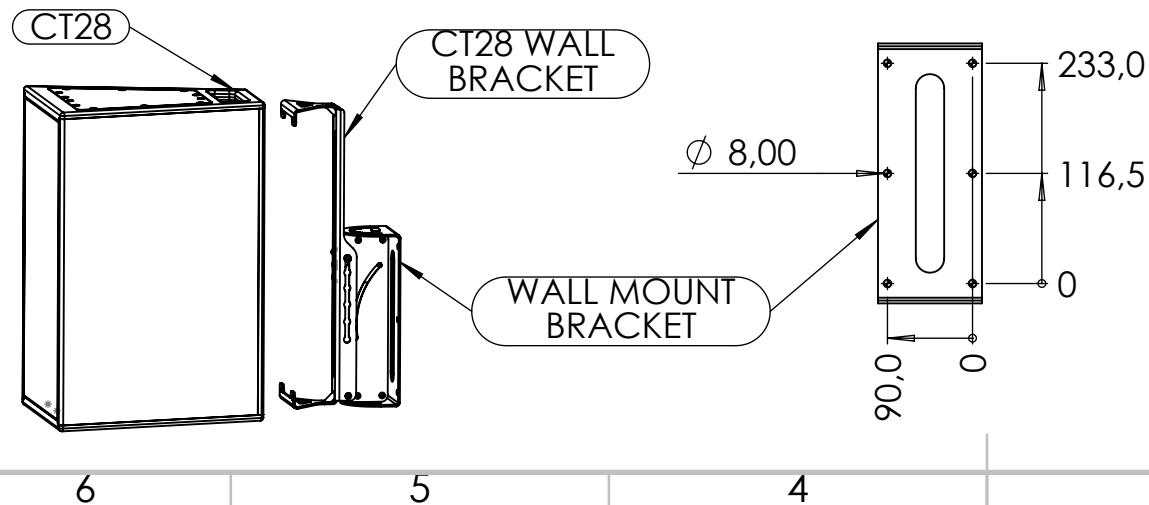
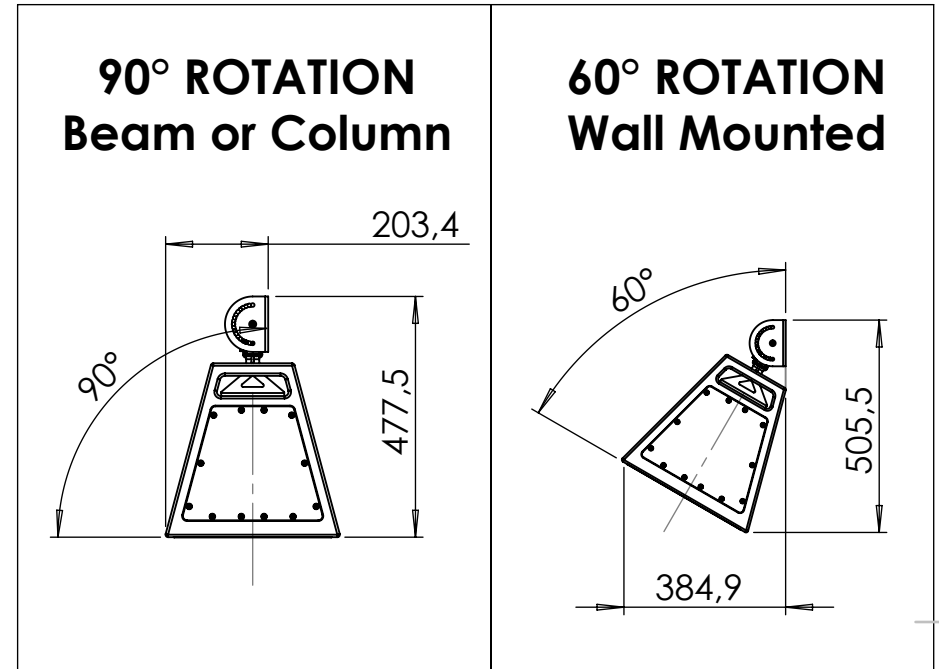
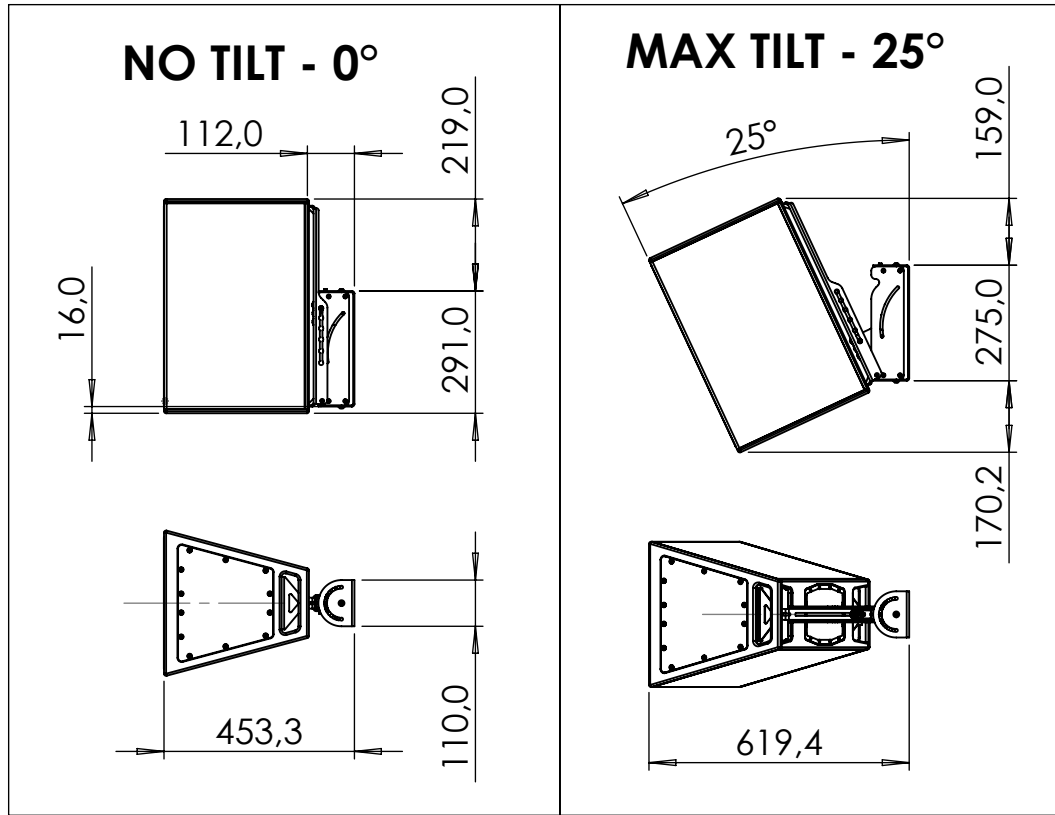


# CT28 - WALL BRACKET



Project:

**CT28**

Version

**v5**

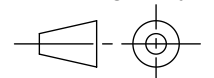
A4

Scale: 1:18

Revision:

First Angle Proj.

Weight (Kg): 23.97



**1 SOUND**  
www.1-sound.com