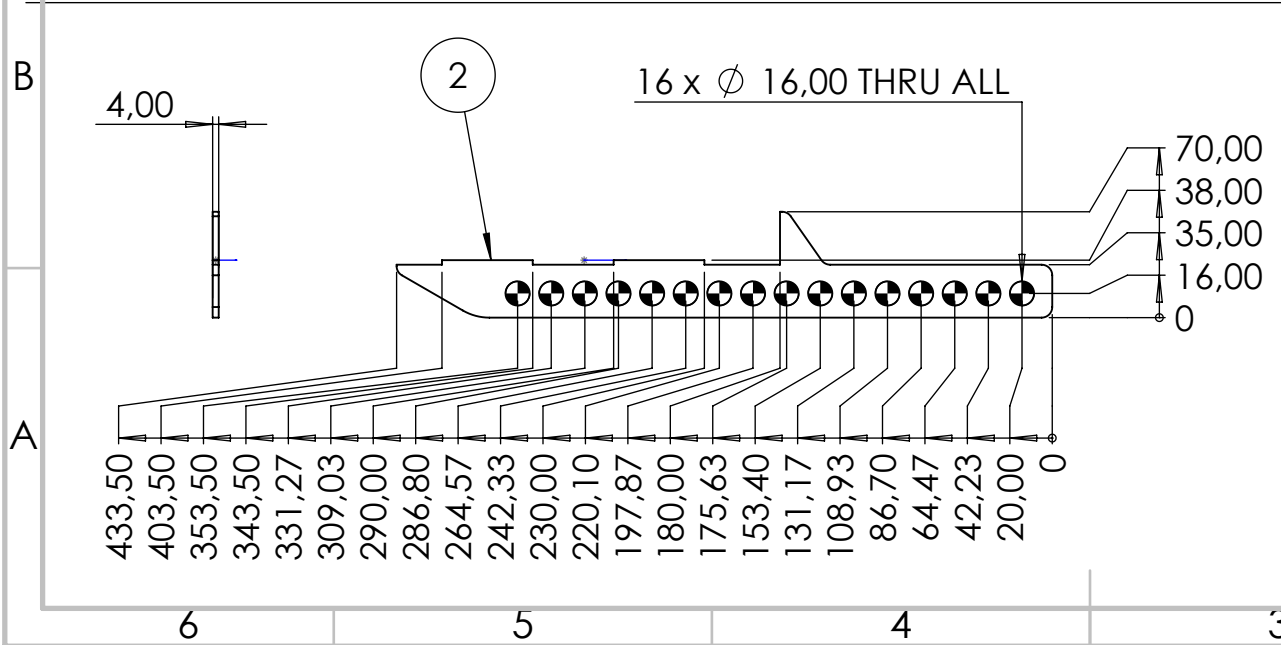
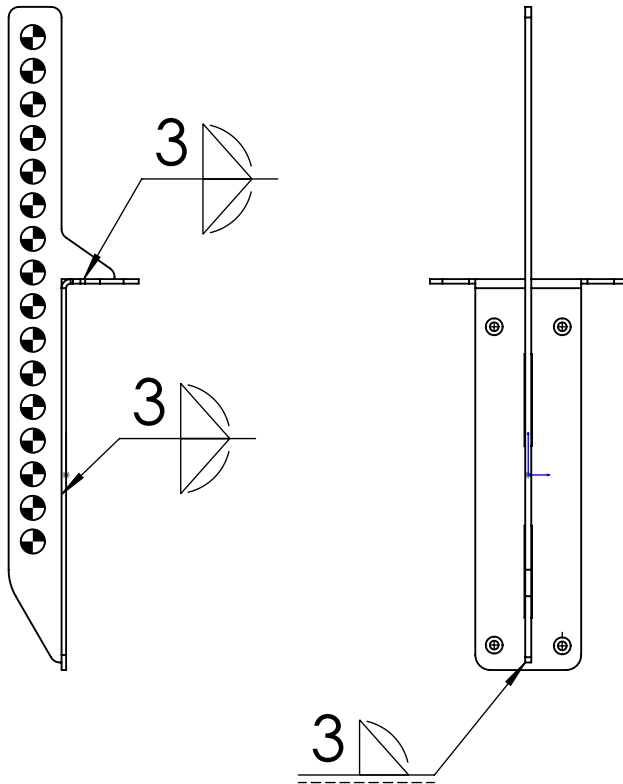


#	QTY	Description
1	1	3mm S460N Steel
2	1	4mm S460N Steel



Part Name: CT28_Flybar		Version v0
A4	Scale: 1:5	Revision:
Weight (Kg): 0.82		First Angle Proj.

1 SOUND
www.1-sound.com



WELD ALL CONTACT EDGES OF TWO PIECES

Part Name: CT28_Flybar		Version v0	
A4	Scale: 1:5	Revision:	First Angle Proj.
Weight (Kg): 0.82			



1 SOUND
www.1-sound.com