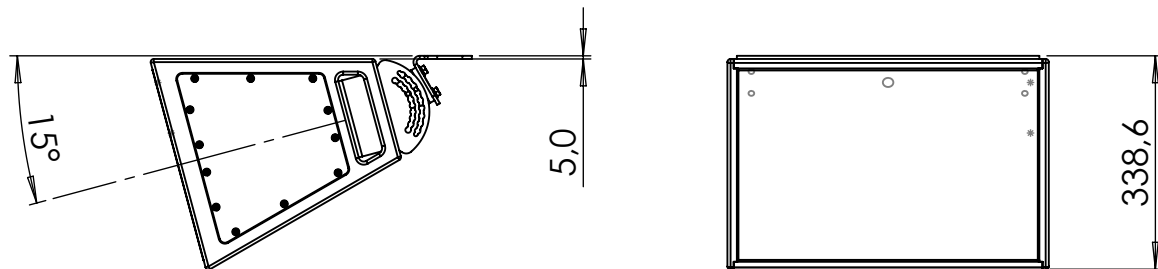
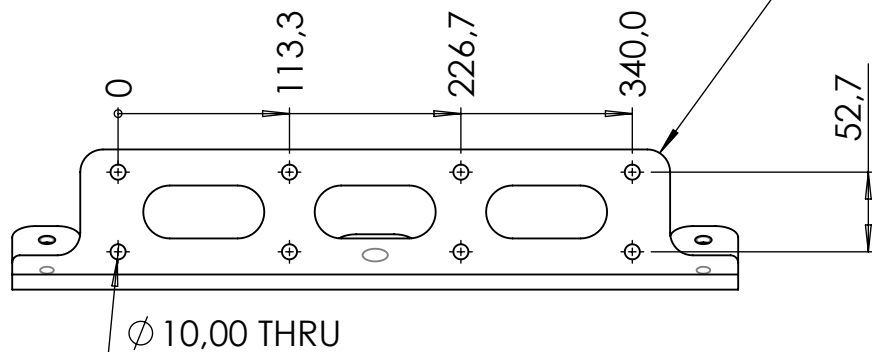
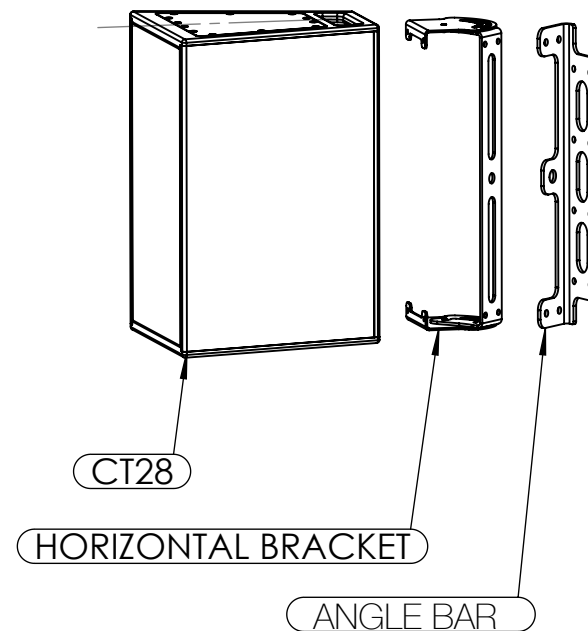
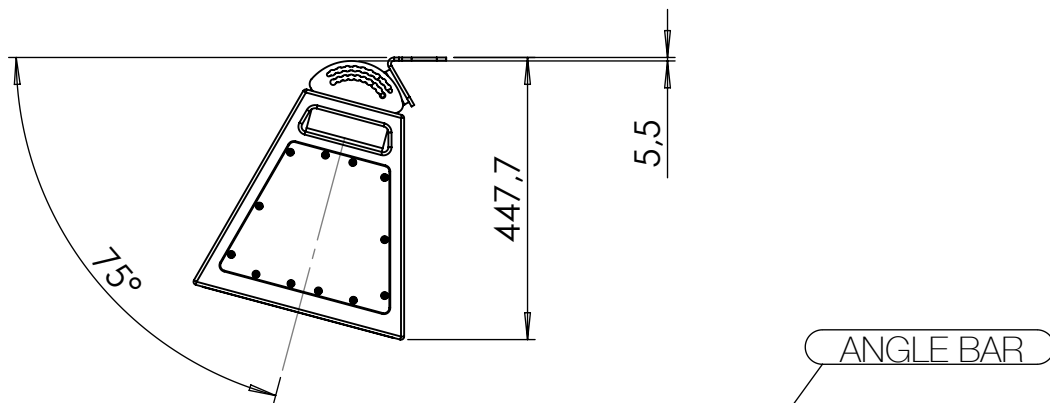


CT28 - HORIZONTAL BRACKET - ANGLE BAR

MINIMUM TILT CASE - 15°



MAXIMUM TILT CASE - 75°



Project:
CT28

Version
v5

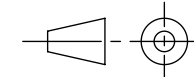
A4

Scale: 1:12

Revision:

First Angle Proj.

Weight (Kg): 26.10

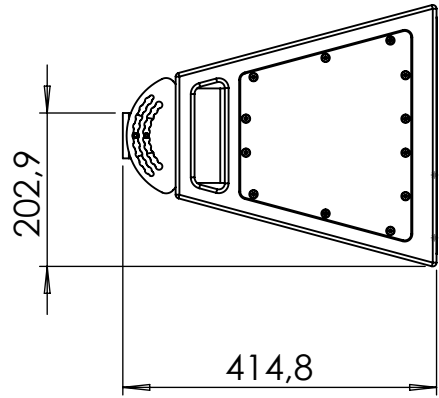


1
SOUND

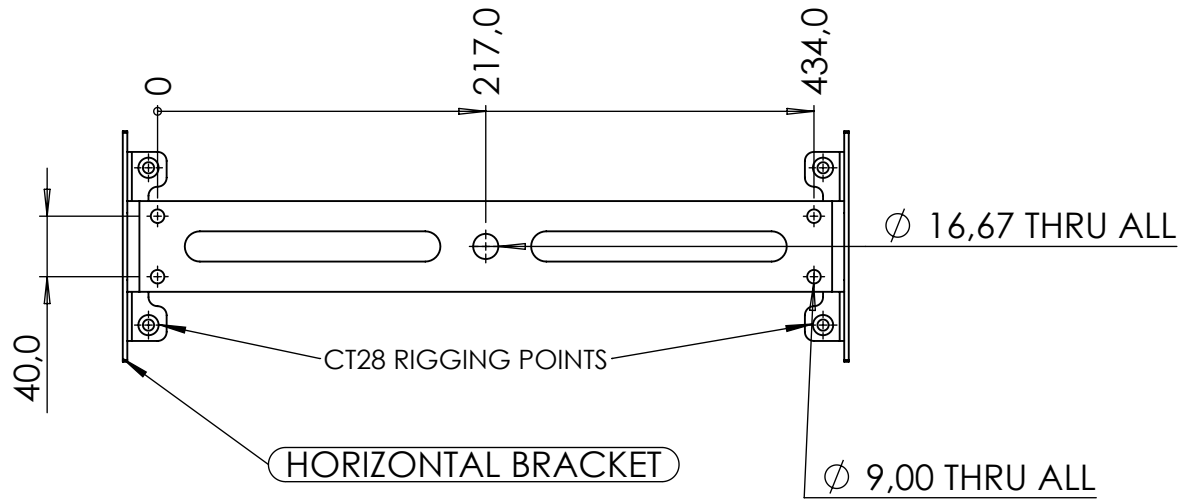
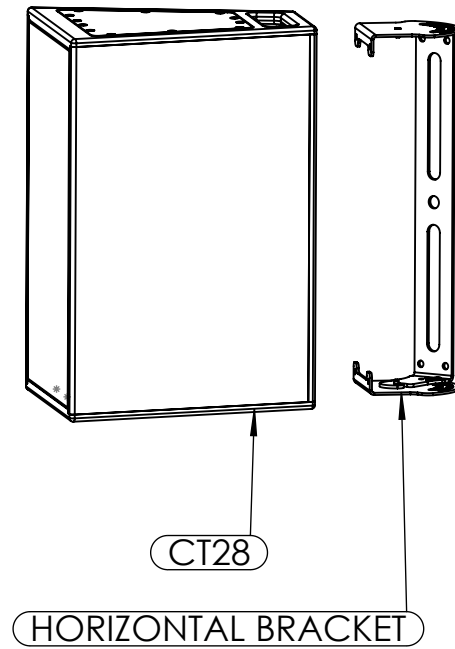
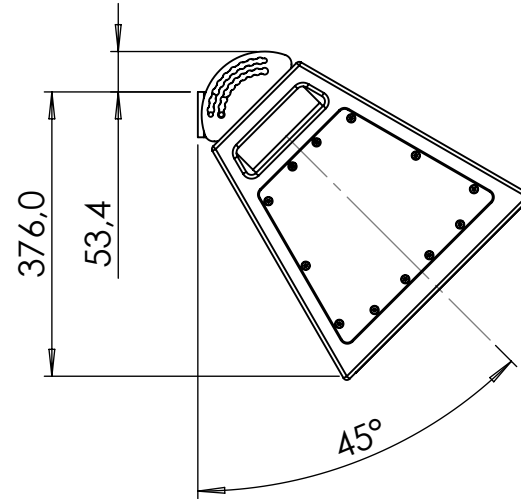
1 SOUND
www.1-sound.com

CT28 - HORIZONTAL BRACKET

NO TILT - 0°



MAX TILT - 45°



Project:

CT28

Version

v5

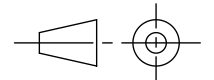
A4

Scale: 1:10

Revision:

First Angle Proj.

Weight (Kg): 23.97



1 SOUND
www.1-sound.com