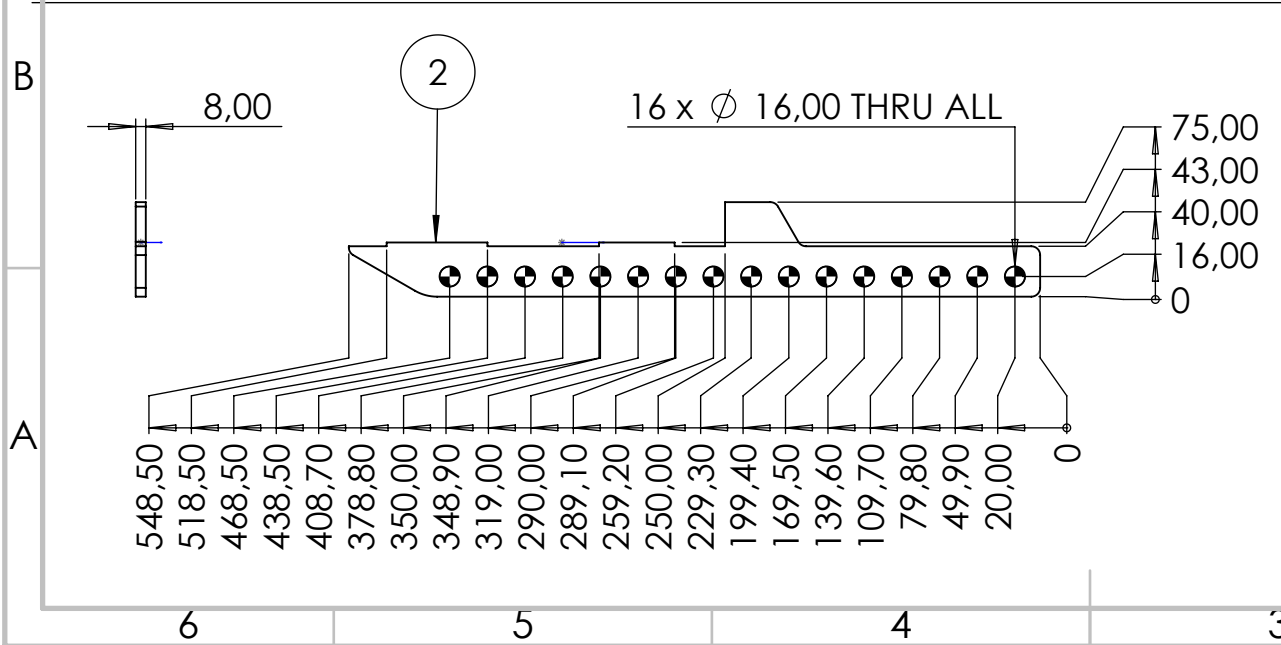
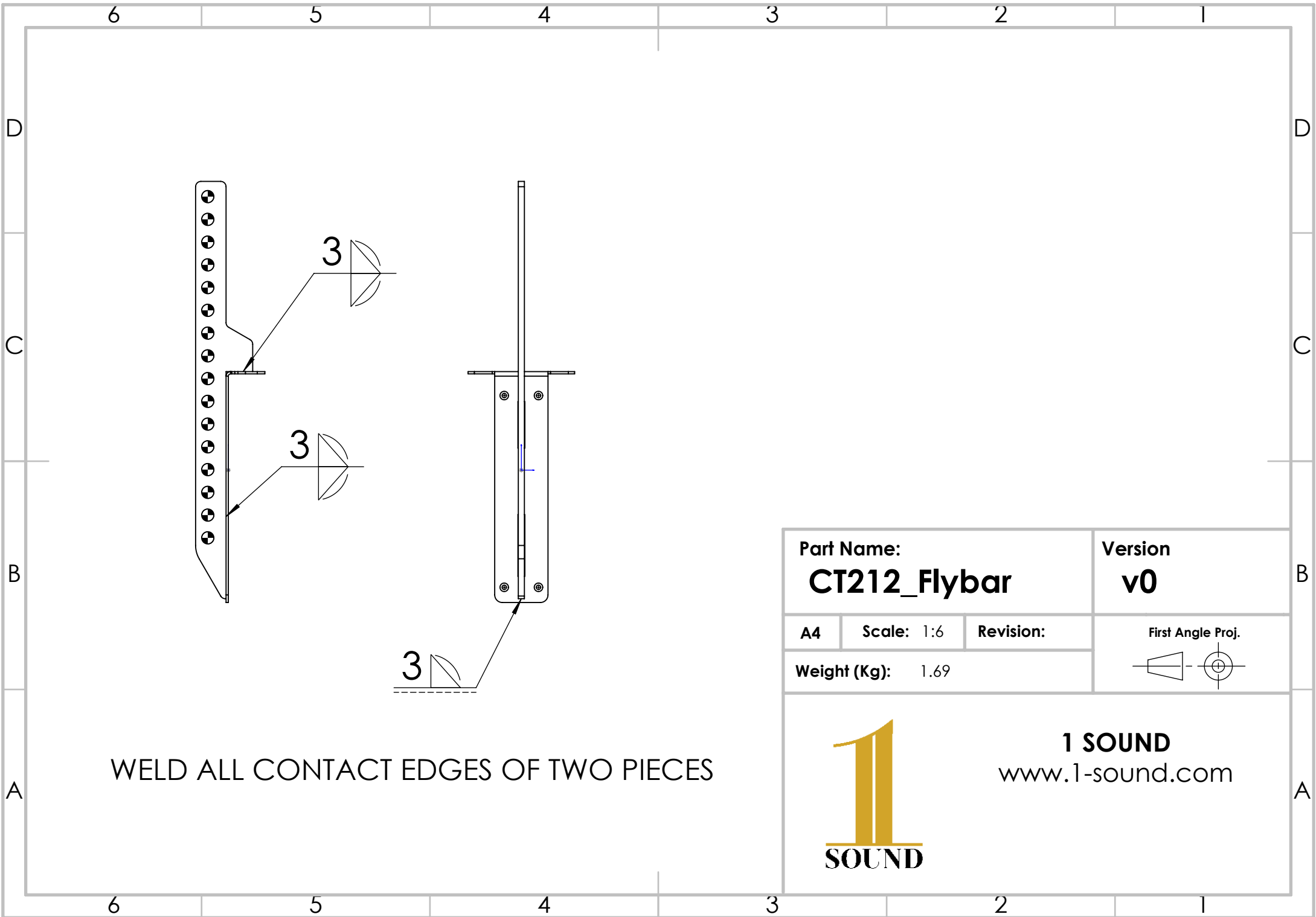


#	QTY	Description
1	1	3mm S460N Steel
2	1	8mm S460N Steel



<b>Part Name:</b> <b>CT212_Flybar</b>		<b>Version</b> <b>v0</b>	
<b>A4</b>	<b>Scale:</b> 1:6	<b>Revision:</b>	<b>First Angle Proj.</b>
<b>Weight (Kg):</b> 1.69			

**1 SOUND**  
www.1-sound.com



WELD ALL CONTACT EDGES OF TWO PIECES

<b>Part Name:</b> <b>CT212_Flybar</b>		<b>Version</b> <b>v0</b>	
<b>A4</b>	<b>Scale:</b> 1:6	<b>Revision:</b>	<b>First Angle Proj.</b> 
<b>Weight (Kg):</b> 1.69			



**1 SOUND**  
www.1-sound.com