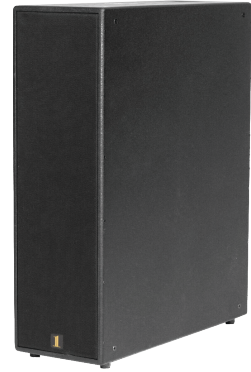


FEATURES

- Triple 10" in the front, and triple 10" in the rear
- Cardioid, subcardioid (end fire) or omnidirectional mode
- Parallel or perpendicular upright deployment
- Low-profile (11.75" high) horizontal deployment
- The sound of a double 18" in omni mode
- Variable-angle stacking with multiple LCC44/84 units
- Pole cup accessory for sub/satellite configurations

APPLICATIONS

- Restaurants
- Lounges
- Houses of Worship
- Theaters
- Entertainment Venues
- Outdoor Systems



DESCRIPTION

The CSUB610 subwoofer features a stacked triple-10" configuration in the front, and a stacked triple-10" configuration in the rear. It is a line source subwoofer capable of operating in cardioid, sub cardioid (end fire) and omnidirectional modes, and designed for positioning parallel or perpendicular to walls, or even low-profile (11.75" high) horizontal deployment.

This bass enclosure offers the sound of a double 18" subwoofer in omni mode. CSUB610 is designed to accept proprietary Tower Rigging System plates for stacking multiple LCC44 columns directly on the cabinet, as well as a recessed cup for square-section Active Speaker Tubes for mounting LCC44/84 units as satellites.

SPECIFICATIONS

Audio Specifications

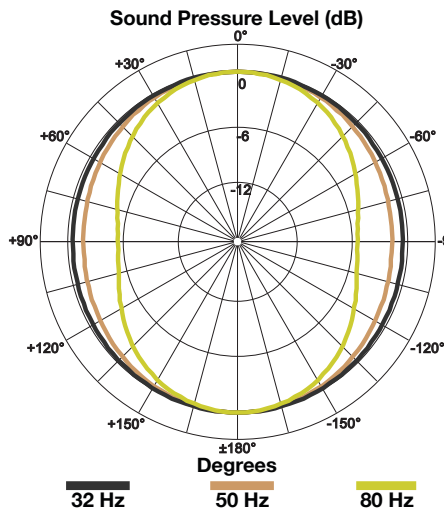
- Description:** Passive line source subwoofer, ultra slim with (6) tetracoil technology drivers, multidirectional (DSP dependent)
- Bandwidth:** 32 Hz – 160 Hz (-6 dB preset dependent)
- Max SPL:** 140 dB SPL @ 1 m with preset
- Power:** 2100+2100 watts (program)
- Directivity:** Cardioid, subcardioid, or omnidirectional
- Elements:** (6) 10" tetracoil technology low frequency drivers
- Impedance:** (2) 3 Ω on a single 4-pole NL4
- Connectors:** (2) NL4, (1) Neutrik NDL dummyPLUG

Mechanical Specifications

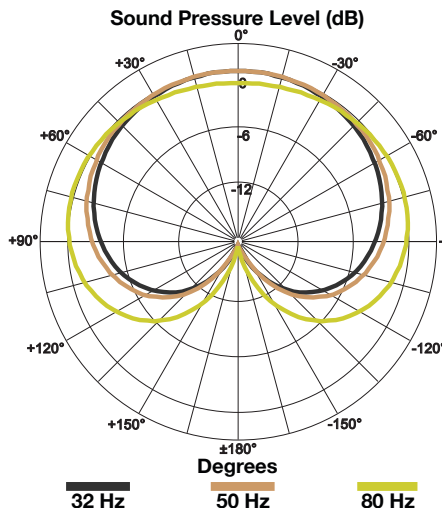
- IP Rating:** IP55 indoor/outdoor and salt water resistant
- Rigging:** (16) M8 points
- Weight:** 108 lb / 49 kg
- Construction:** Finland birch ply (urea glue), matte salt and UV resistant coating, 316 stainless steel hardware, 3D spacer mesh fabric
- Dimensions:** 11.75" (300 mm) x 30.9" (785 mm) x 38" (970 mm)
- Colors:** Stocking black and white, custom colors and fabrics available
- Accessories:** Sub Pole Cup, Tower Rigging System, Outriggers, removable rubber feet [included]

DIRECTIVITY

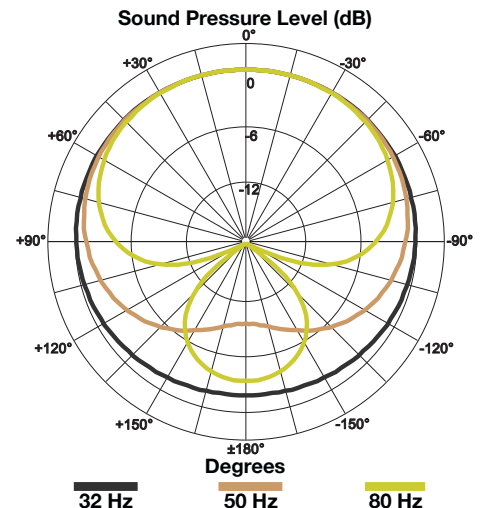
Horizontal Polar Plot – Omni Mode



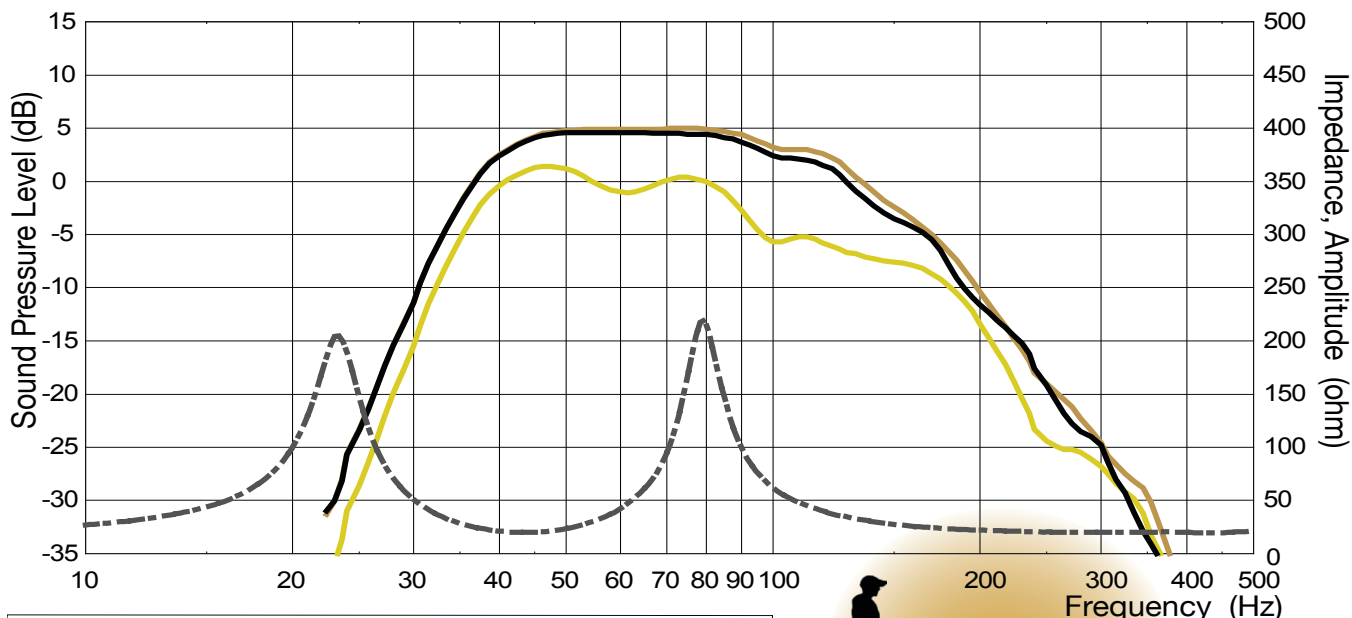
Horizontal Polar Plot – Cardioid Mode



Horizontal Polar Plot – End Fire Mode

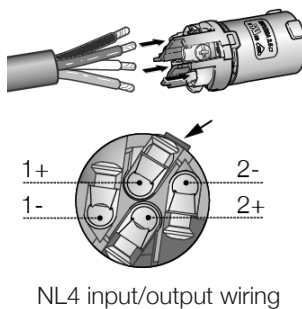
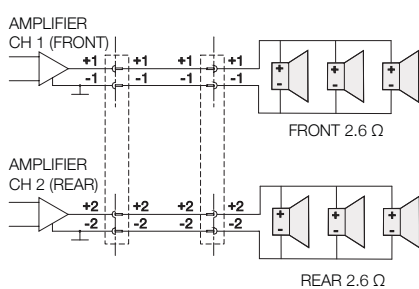


FREQUENCY RESPONSE

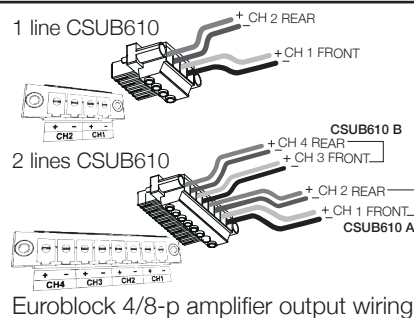


SPL: OMNIDIRECTIONAL	CARDIOID	END-FIRE
IMPEDANCE: FRONT (1+/-) = REAR (2+/-)		

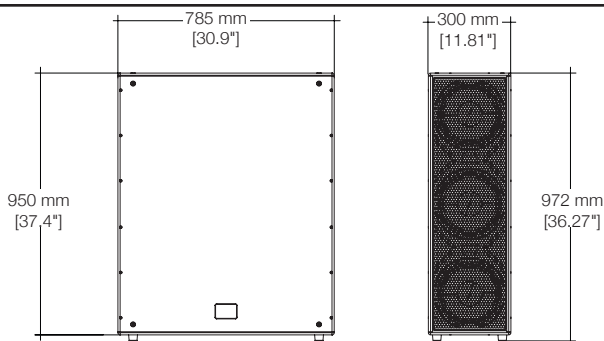
WIRING



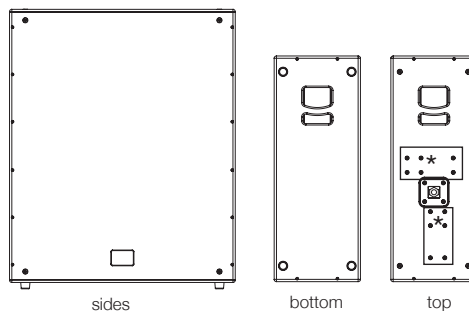
Pinout:
 Circuit 1 (front-facing):
 1+ Positive
 1- Negative
 Circuit 2 (rear-facing):
 2+ Positive
 2- Negative



DIMENSIONS

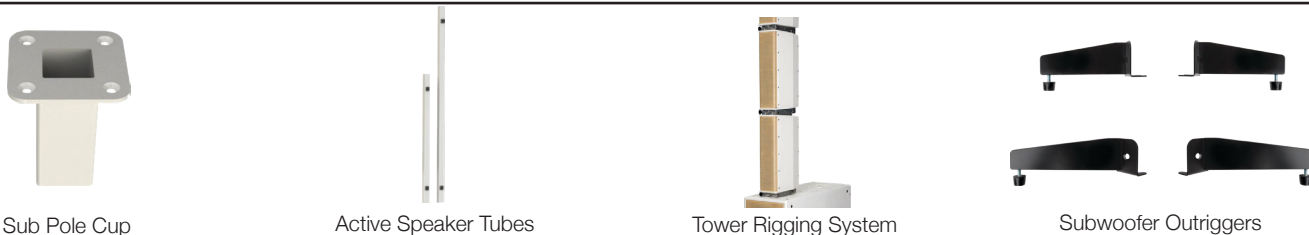


RIGGING



- (16) points M8
 (12) points M6
- Top: (4) M8 points
 - Bottom: (4) M8 points - (Rubber feet)
 - Sides: (8) M8 points (4 each side)
 - *Top: (12) M6 points (Tower Rigging System)

ACCESSORIES



Contact

For more product or service information please contact the 1 SOUND headquarters.

1 SOUND, Manufacturer
 USA Distributor
 34 Apple Street
 Tinton Falls, NJ 07724

tel. +1-732-798-9900
 sales@1-sound.com

Warranty

All manufactured 1 SOUND products are warranted to be free from defects in materials or workmanship for a period of 3 years from original purchase. If there is specific hardware or grilles you might want replaced or any repairs needed please contact your region's authorized 1 SOUND distributor.

